

H1X2-4K1080P

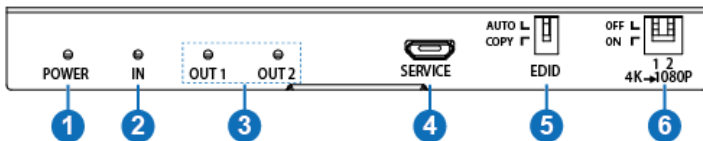
HDMI 1 In 2 Out 4K Distribution Amplifier up to 18Gbps with Down Scaler/Audio Extractor

The 4K HDMI Splitter has 1 input and 2 outputs. It distributes 1 HDMI source to 2 HDMI displays simultaneously up to 4Kx2K@60Hz, 4:4:4 and HDCP 2.2. Supports audio extract from HDMI source to optical and analog output. The HDMI output supports bypass and down scaler (4K>1080P) function. This allows for example one TV at 4K and the second TV at 1080p if needed.

Features:

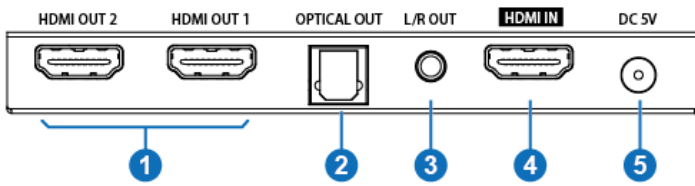
- > HDMI 2.0b, HDCP2.2/HDCP 1.4 compliant
- > HDMI resolutions up to 4Kx2K@50/60Hz 4:4:4
- > Supports digital and analog audio extract output from HDMI source
- > Supports output bypass and 4K > 1080p down scaler
- > EDID can be selected COPY and AUTO modes via dip switch setting
- > Supports HDMI audio format LPCM, Dolby Digital/Plus/EX, Dolby True HD, DTS, DTS-EX, DTS-96/24, DTS High Res, DTS-HD Master Audio, DSD

Front Panel:



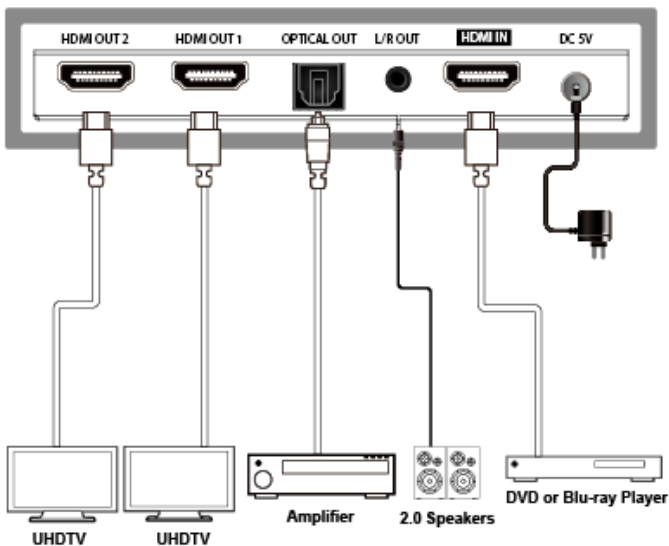
Number	Name	Function description
1	POWER LED	This blue LED will illuminate when the device is connected with power supply.
2	HDMI INPUT LED	This blue LED will illuminate when the Source is connected to the device.
3	HDMI OUTPUT LED	These blue LEDs will light up to indicate which HDMI outputs are connected to an active TV/display/monitor.
4	SERVICE PORT	Manufacturer use only
5	EDID	AUTO: Compare OUT 1 and OUT 2 displays EDID setting, then output the best resolution to source device, the source will transmit the signal again to all outputs. COPY: Copy the HDMI OUT 1 port EDID setting to source device, the source device will transmit again the signal to all outputs.
6	DIAL SWITCH (4K > 1080P)	OFF: When the dial switch is dialed in 'OFF' position, signal input and output is bypass status. ON: When the dial switch is dialed in 'ON' position, signal input will downscale (4k->1080P) output.

Rear Panel:



Number	Name	Function description
1	HDMI OUTPUT	Connect to HDMI display device such as TV or monitor.
2	OPTICAL OUT	Optical audio output
3	L/R OUT	Analog audio output
4	HDMI IN	Connect to HDMI source device such as DVD player or PS4.
5	DC 5V	Plug the 5V/1A DC power supply into the unit and connected the adapter to an AC outlet.

Installation View:



NOTE: Surge Protection Recommended

This HDMI splitter contains sensitive electrical components that may be damaged by electrical spikes, surges, electric shock, lightning strikes, etc. Using a surge protection system is highly recommended in order to protect and extend the life of your equipment.

Package Includes:

- Splitter x 1 piece
- Power adapter x 1 piece
- Instructions

Specification:

Model:	H1X2-4K1080P
Technical	
HDMI Compliance	HDMI 2.0b
HDCP Compliance	HDCP 2.2 and HDCP 1.4
Video Bandwidth	18 Gbps
Video Resolutions	720P50/60Hz, 1080P50/60Hz, 4K2K24Hz, 4K2K30Hz, 4K2K@50/60Hz (4:4:4)
Color Depth	4K60Hz 8-bit, 1080p 12-bit
Color Space	RGB, YCbCr 4:4:4, YCbCr 4:2:2
HDMI Audio Formats	LPCM, Dolby Digital/Plus/EX, Dolby True HD, DTS, DTS-EX, DTS-96/24, DTS High Res, DTS-HD Master Audio, DSD
L/R Audio Formats	PCM 2.0
Optical Audio Formats	LPCM [2.0/2.1]CH, Dolby 5.1, Dolby True HD, Dolby DD+, DTS 5.1, DTS-ES 6, DTS-HDMA 5.1, DTS HD-HRA 5.1
ESD Protection	±8kV (Air-gap discharge) , ±4kV (Contact discharge)
Connections	
Input Ports	1×HDMI Type A [19-pin female]
Output Ports	2×HDMI Type A [19-pin female] 1×L/R Audio out [3.5mm Stereo Mini-jack] 1×Optical out [S/PDIF]
Mechanical	
Housing	Metal Enclosure
Color	Black
Dimensions	4.72" x 2.46" x 0.55"
Weight lbs.	.37
Power Supply	Input: AC100~240V 50/60Hz, Output: DC5V/1A (US/EU standards, CE/FCC/UL certified)
Power Consumption	2.8W (max)
Operating Temperature	0°C ~ 40°C / 32°F ~ 104°F
Storage Temperature	-20°C ~ 60°C / -4°F ~ 140°F
Relative Humidity	20~90% RH (non-condensing)



Do you Need Technical Support?

ZUUM is proud to offer free technical support to ensure your product is operating correctly. If you are experiencing difficulties setting up this product, please call us for assistance 1-888-861-7351 or visit www.zuum.life