

4MP Intelligent Dual-Light Wise-ISP Turret Network Camera

GV-E4MP-AI-IP-2.7-13.5-IR40CWP



Features

- High quality image with 4MP, 1/2.9" CMOS sensor
 - 4MP (2688×1520) @30/25 fps; 4MP (2560×1440) @30/25 fps; 3MP (2304 × 1296) @30/25 fps; 1080P (1920 × 1080) @30/25 fps
 - Ultra 265, H.265, H.264, MJPEG
 - Smart Intrusion Prevention, including Cross Line, Intrusion, Enter Area, Leave Area Detection
 - Intelligent Intrusion Prevention system based on target classification significantly reduces false alarms caused by trees ,birds,and lights, accurately focusing on humans, vehicles, and non-motor vehicles
 - Supports Ultra Motion Detection
 - Intelligent People Flow Counting and Crowd Density Monitoring
 - 120 dB true WDR technology enables clear image in strong light scene
 - Supports 9:16 corridor mode
 - MicroSD, up to 512 GB
 - IK10 vandal resistant and IP67 protection
-

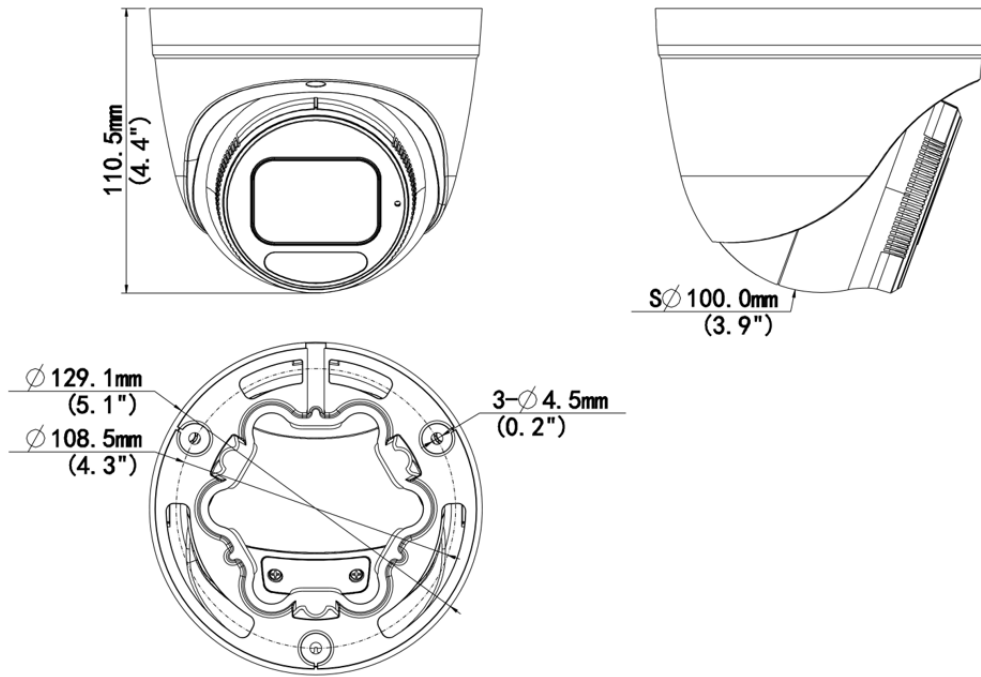
Specifications

Model	GV-E4MP-AI-IP-2.7-13.5-IR40CWP
Camera	
Max Resolution	4MP
Sensor	1/2.9" CMOS
Min. Illumination	Color: 0.001 Lux (F1.2, AGC ON), 0 Lux with IR
Day/Night	IR-cut filter with auto switch (ICR)
Shutter	Auto/Manual, 1 to 1/100000s
WDR	120 dB
Adjustment Angle	Pan: 0° to 360°, Tilt: 0° to 75°, Rotate: 0° to 360°
S/N	>52 dB
Lens	
Focal Length	2.7 to 13.5 mm
Iris	F1.2
Field of View (H)	107.4° to 29.2°
Field of View (V)	57.2° to 17.0°
Field of View (D)	124.6° to 32.5°
Lens Type	Motorized
Iris Type	Fixed
DORI	
DORI Distance (Lens)	2.7-13.5mm
DORI Distance (Detect)	60.8 m to 303.8 m (199.5 ft. to 996.7 ft)
DORI Distance (Observe)	24.3 m to 121.5 m (79.7 ft. to 398.6 ft)
DORI Distance (Recognize)	12.2 m to 60.8 m (40.0 ft. to 199.5 ft)
DORI Distance (Identify)	6.1 m to 30.4 m (20.0 ft. to 99.7 ft)
Illuminator	
Illumination Distance (IR)	40 m (131.2 ft)
Illumination Distance (Warm Light)	40 m (131.2 ft)
IR On/Off Control	Auto/Manual
Wavelength	850 nm
Supplemental Light	Dual Light
Image	
White Balance	Auto, Outdoor, Fine Tune, Sodium Lamp, Locked, Auto2, Area White Balance
Smart IR	Support
Digital Noise Reduction	2D/3D DNR
Dewarping	Support
Flip	Normal, Flip Vertical, Flip Horizontal, 180°, 90° Clockwise, 90° Anti-Clockwise
HLC	Support
BLC	Support
Defog	Digital Defog

Intelligent	
Smart Intrusion Prevention	Cross Line Detection, Intrusion Detection, Enter Area Detection, Leave Area Detection (support false alarm filtering and the classification of human, non-motor vehicle and vehicle)
Statistical Analysis	N/A
People Counting	Support people flow counting and crowd density monitoring
Events	
Basic Detection	Motion Detection, Ultra Motion Detection, Tampering Alarm, Audio Detection
General Function	Watermark, IP Address Filtering, Access Policy, ARP Protection, RTSP Authentication, User Authentication, HTTP Authentication
Network	
Protocols	IPv4, IPv6, IGMP, ICMP, ARP, TCP, UDP, DHCP, RTP, RTSP, RTCP, RTMP, DNS, DDNS, NTP, FTP, UPnP, HTTP, SSL/TLS, 802.1x, SNMP, QoS, HTTPS, SMTP, PPPoE
Compatible Integration	ONVIF (Profile S, Profile G, Profile T, Profile M), API, SDK
User/Host	Up to 32 Users. 3 User Levels: Administrator, Common User and Operator
Security	Password protection, Strong Password, HTTPS encryption, Export operation logsBasic and Digest Authentication for RTSP, Digest Authentication for HTTP, TLS 1.2, WSSE and Digest Authentication for ONVIF, DTLS 1.2
Client	Guard Live
Web Browser	Plug-in required live view: IE 10+, Chrome 45+, Firefox 52+, Edge 79+, Plug-in free live view: Chrome 57+, Firefox 58+, Edge 16+
Storage	
Edge Storage	Micro SD, up to 512 GB
Network Storage	ANR, NAS (NFS)
Video	
Video Compression	Ultra 265, H.265, H.264, MJPEG
H.264 Code Profile	Baseline Profile, Main Profile, High Profile
Frame Rate	Main Stream: 4 MP (2688×1520), max. 30 fps; 4 MP (2560×1440), max. 30 fps; 3 MP (2304×1296), max. 30 fps; 1080P (1920×1080), max. 30 fps; 720P (1280×720), max. 30 fps. Sub Stream: 720P (1280×720), max. 30 fps; D1 (720×576), max. 30 fps; (640×360), max. 30 fps; 2CIF (704×288), max. 30 fps; CIF (352×288), max. 30 fps. Third Stream: D1 (720×576), max. 30 fps; (640×360), max. 30 fps; 2CIF (704×288), max. 30 fps; CIF (352×288), max. 30 fps.
Video Bit Rate	128 Kbps to 16 Mbps
U-Code	Support
OSD	Up to 8 OSDs
Privacy Mask	Up to 4 areas
ROI	Support
Video Stream	3 Streams
Audio	
Audio Compression	G.711U, G.711A, AAC-LC
Audio Bitrate	G.711U/G.711A: 64 kbps, AAC-LC: 128 kbps

Two-Way Audio	N/A
Suppression	Support
Sampling Rate	G.711U/G.711A: 8 kHz, AAC-LC: 8 kHz, 16 kHz, 48 kHz
Interface	
Audio I/O	N/A
Alarm I/O	N/A
Serial Port	N/A
Built-In Mic	Support
Built-In Speaker	N/A
WIFI	N/A
Network	1 × RJ45 10 M/100 M Base-TX Ethernet
Video Output	N/A
Certification	
EMC	CE-EMC (EN 55032, EN 61000-3-3, EN IEC 61000-3-2, EN 50130-4) FCC (FCC 47 CFR part15 B)
Safety	CE-LVD (EN 62368-1) UL/CUL (UL 62368-1, CAN/CSA C22.2 No. 62368-1)
Environment	CE-RoHS (2011/65/EU ; (EU) 2015/863) ; WEEE (2012/19/EU)
Protection	IP67 (IEC 60529), IK10 (IEC 62262)
General	
Power	DC 12 V±25%, PoE (IEEE 802.3af)
Power Consumption	Max. 7.1 W
Power Interface	Ø5.5 mm coaxial power plug
Dimensions	Ø129 mm × 110 mm (Ø5.1" × 4.3") (Ø × H)
Weight	0.68 kg (1.50 lbs)
Working Environment	-30 °C to 60 °C (-22 °F to 140 °F), Humidity: ≤ 95% RH (non-condensing)
Storage Environment	-30 °C to 60 °C (-22 °F to 140 °F), Humidity: ≤ 95% RH (non-condensing)
Surge Protection	4 KV
Reset Button	Support
Material	Metal
Web Client Language	20 Languages: Traditional Chinese, English, Simplified Chinese, Polish, German, Russian, French, Korean, Dutch, Czech, Portuguese (Europe), Portuguese (Brazil), Japanese, Thai, Turkish, Spanish (Latin America), Spanish (Europe), Hungarian, Italian, Vietnamese

Dimensions



Accessories

GV-JB3H-V2

Round Junction Box



GV-CM8C-V2

Corner Mount Bracket



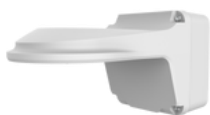
GV-A1

$\frac{3}{4}$ " Plastic Waterproof Joint



GV-JB7-WM3F-V2

Wall Mount with Box for
Wire Management



GV-WM3B

Wall Mount Bracket



GV-PS6C-V2

Pole Strap Bracket

