

4MP ColorHunter with Wise-ISP Active Deterrence Mini PTZ Camera

GV-PTZ4MP-AI-IP-2.7-13.5-40CWP



Features

- High quality image with 4MP, 1/1.8" CMOS sensor
- Support ColorHunter with Wise-ISP technology, deeply optimizing color, detail, and smear effects in extremely low-light scenes
- Ultra 265, H.265, H.264, MJPEG
- 2880*1620@30fps in the mainstream, 16: 9 aspect ratio
- Smart intrusion prevention, support false alarm filtering, Cross Line Detection, Intrusion Detection
- Up to 120 dB WDR (Wide Dynamic Range)
- Built-in Mic and Speaker
- 40m (131.23 ft) warm light distance
- Micro SD, up to 512GB
- IP66 protection
- DC12V or PoE (IEEE 802.3at) power supply

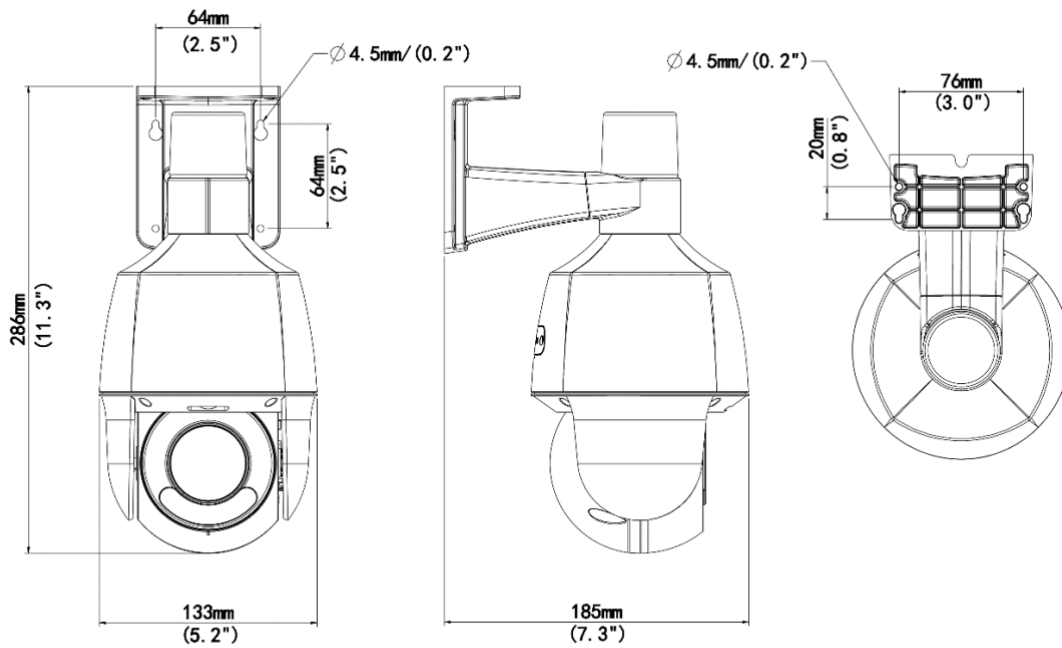
Specifications

Model	GV-PTZ4MP-AI-IP-2.7-13.5-40CWP
Camera	
Sensor	1/1.8" CMOS
Min. Illumination	Color: 0.0005 Lux (F1.2, AGC ON)
Day/Night	IR-cut filter with auto switch (ICR)
Shutter	Auto/Manual, 1 to 1/100000 s
WDR	120 dB
S/N	>56 dB
Lens	
Focal Length	2.7 to 13.5 mm
Optical Zoom	5X
Field of View (H)	113.69° to 50.29°
Field of View (V)	59.46° to 28.45°
Field of View (D)	156.23° to 59.34°
DORI	
DORI Distance (Lens)	2.7 to 13.5 mm
DORI Distance (Detect)	98.6 to 209.9 m (323.3 to 688.7 ft)
DORI Distance (Observe)	39.4 to 84.0 m (129.3 to 275.5 ft)
DORI Distance (Recognize)	19.7 to 137.7 m (64.7 to 137.7 ft)
DORI Distance (Identify)	9.9 to 21 m (32.3 to 68.9 ft)
Illuminator	
Illumination Distance (Warm Light)	40 m
Light On/Off Control	Auto/Manual
Video	
Video Compression	Ultra 265, H.265, H.264, MJPEG
Video Bit Rate	128 Kbps to 6144 Kbps
U-code	Support
ROI	Support
Video Stream	Triple Streams
Privacy Mask	Up to 4 areas
OSD	Up to 8 OSDs
Frame Rate-Main Stream	4MP (2560 x 1440)@25fps (Default) 4MP (2688 x 1520), Max 30fps; 4MP (2560 x 1440), Max 30fps;
Events	
Basic Detection	Motion Detection, Audio Detection, Tampering Alarm
General Function	Watermark, IP Address Filtering, Access Policy, ARP Protection, RTSP Authentication, User Authentication
Motion Detection	Support
Tampering Detection	Support
Audio Detection	Support

UMD (Ultra Motion Detection)	Support
Audio	
Audio Compression	G.711U, G.711A
Audio Bitrate	128 Kbps
Two-way Audio	Support
Suppression	Support
Sampling Rate	8 kHz, 16 kHz
Storage	
Edge Storage	Micro SD, up to 512 GB
Intelligent	
Auto Tracking	Support, target filtering: human only
Smart Intrusion Prevention	Support False Alarm Filtering: Cross Line Detection, Intrusion Detection (based on Human Body and Vehicle Detection)
Network	
Protocols	TLS1.3, SSH, IGMP, RTP, RTCP, SMTP, IPv4, IPv6, ICMP, ARP, TCP, UDP, DHCP, PPPoE, RTSP, RTMP, DNS, DDNS, NTP, FTP, UPnP, HTTP, HTTPS, 802.1x, SNMP, QoS, SSL/TLS
Compatible Integration	ONVIF (Profile S, Profile G, Profile T), API
Security	Password Protection, Strong Password, HTTPS Encryption, Export Operation Logs, Basic and digest authentication for RTSP, Digest authentication for HTTP, TLS 1.2, WSSE and digest authentication for ONVIF
Client	APP: Guard Viewer CMS: Guard Station Tools: Guard Tools
Web Browser	Plug-in required live view: IE 10 and above, Chrome 45 and above, Firefox 52 and above, Edge 79 and above
Image	
White Balance	Auto, Outdoor, Fine Tune, Sodium Lamp, Locked, Auto2
Digital Noise Reduction	2D/3D DNR
Flip	Normal, Flip Vertical, Flip Horizontal, 180°
HLC	Support
BLC	Support
Defog	Digital Defog
PTZ	
Number of Presets	1024
Preset Patrol	16 patrols, up to 64 presets for each patrol
Patrol Stay Time	120 s to 1800 s
Home Position	Support
Number of Presets (IPC)	1024
Pan Range	0° to 345°
Pan Speed	1°/s to 50°/s
Tilt Range	-10° to 100°
Tilt Speed	1°/s to 40°/s
Number of Patrol	16
Interface	

Audio I/O	1 Input: impedance 1 k Ω , amplitude 2.5 V [p-p], 1 Output: impedance 600 Ω , amplitude 2.5 V [p-p]
Alarm I/O	1/1
Built-in Mic	Support
Built-in Speaker	Support
Network	1 \times RJ45 10 M/100 M Base-TX Ethernet
Certification	
EMC	CE-EMC (EN 55032; EN IEC 61000-3-2; EN 61000-3-3; EN 50130) FCC SDoC (47 CFR Part 15; Subpart B)
Safety	UL (UL 62368-1) CUL (CAN/CSA C22.2 No. 62368-1) CE-LVD (EN IEC 62368-1)
Environment	CE-ROHS (2011/65/EU;(EU)2015/863)
Protection	IP66 (IEC 60529)
General	
Power	DC 12 V \pm 25%, PoE (IEEE 802.3at)
Working Environment	-30 $^{\circ}$ C to 60 $^{\circ}$ C (-22 $^{\circ}$ F to 140 $^{\circ}$ F), Humidity: \leq 95% RH (non-condensing)
Storage Environment	-40 $^{\circ}$ C to 70 $^{\circ}$ C (-40 $^{\circ}$ F to 158 $^{\circ}$ F), Humidity: \leq 95% RH (non-condensing)
Surge Protection	2 KV
Reset Button	Support
Material	Metal
Web Client Language	22 Languages: Traditional Chinese, English, Simplified Chinese, Polish, German, Russian, French, Korean, Dutch, Czech, Portuguese (Europe), Portuguese (Brazil), Japanese, Thai, Turkish, Spanish (Latin America), Spanish (Europe), Hungarian, Italian, Vietnamese, Arabic, Slovak
Heater	Support
Live View	
Maximum Bitstream	35
OSD Color	Support
OSD Character Number	40

Dimensions



Accessories

GV-JB7D

Bullet Junction Box(Support wiring from behind)



GV-A1

NPT 3/4" Waterproof Cable Gland



GV-CM6-D

Alarm Ball Machine Hoisting Bracket



GV-PS6C

Pole Mounting Bracket for Bullet Junction Box Only



GV-CM8C

Bullet&Dome Corner Mounting Bracket



GV-PS6B

Bullet Pole Mounting Bracket

