

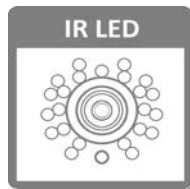
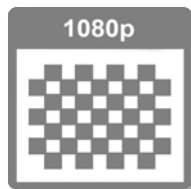
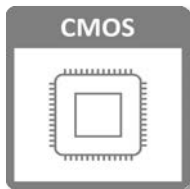
B2MP-U-2.8MM-IR30

2 Mega Pixel (1080p) HD Analog Weather Resistant Day & Night IR Bullet Color Camera

Our B2MP-U-2.8MM-IR30 adopts the latest chipset for rich and vibrant colors with 1080p resolution and up to 98ft (30m) IR distance in night mode. A perfect solution for commercial and residential applications in normal to low light conditions indoors or out, such as warehouses, shopping malls, retail showrooms, office buildings and schools. Very attractive form factor design includes many features including IP67 weather resistant rating, durable powder coat finish, and flexible directional movement for precise placement in your installation. Simple and easy to install, this quality camera has great value.

Features:

- 1/3" CMOS image sensor 2 Mega Pixels
- 1080p, 2.8mm Lens
- Change from TVI, AHD, CVI, CVBS by cable switch
- Great for Low Light Areas up to 98ft (30m)
- IP67 Rated for Outdoor Installations
- Durable Powder Coat Finish
- Power Supply (Sold Separately)



Note: A power adapter connector (Included) will make installation more simplistic and plug n play without the need for cutting off camera power connector. Connect your power connector from the camera directly to power cabling such as Siamese RG59 18/2 CCTV cable or screw terminals on an external power supply. This camera does not include a power supply, but please see our website for the latest options.

Connection and Operation:

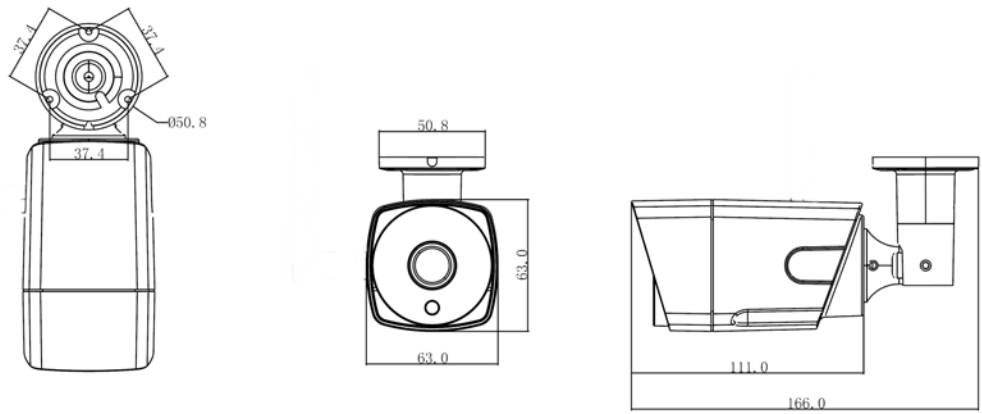
Before installation, please make sure all devices you are connecting are turned off.

- 1) Mount camera to a solid structure using included mounting screws
- 2) Never mount your camera facing directly at sun or bright lights
- 3) Make sure the camera only operates between temperature 14 to 113°F
- 4) Handle camera with care to avoid damage to sensitive internal components
- 5) Connect a 12VDC power supply (Not Included)
- 6) Turn on your CCTV monitor or display to verify connection
- 7) Camera defaults CVI but you can change from TVI, AHD, CVI, CVBS by cable switch if needed.

Package Contents:

- B2MP Camera (Main Unit)
- Power Adapter Connector
- Mounting Screws
- Allen Key
- User Instructions

Dimensions:



General Specifications:

Model	B2MP-U-2.8MM-IR30
Pick Up Element	1/3" CMOS image sensor 2 Mega Pixels
Horizontal Vertical Resolution	1080P
Video Output	Default CVI (AHD, TVI CVBS by cable switch)
Color Reproduction	Yes
Noise Reduction	2D-NR
Day & Night	Yes
OSD (On Screen Display)	Yes PTZ menu
Defog	N/A
IR Optimizer	Yes
Minimum Illumination	0.01 Lux @ (F1.2, AGC On) (0 Lux With IR LED On)
IR Distance	98ft (30 Meters) (With 36pcs LED)
IR Status	Under 10 Lux by CDS
IR Power On	CDS Auto Control
Video Output	1Vpp, 75Ω
Gain Control	Auto
Power/Current	12VDC(+/-10%) 400mA (Sold Separately)
Lens	2.8mm
Water Resistant	IP67
Dimensions - Inches	See drawing for details
Weight - lbs	.95
Storage Temperature	-22 ~ +140°F
Operating Temperature	14 ~ +113°F



Do you Need Technical Support?

ZUUM is proud to offer free technical support to ensure your product is operating correctly. If you are experiencing difficulties setting up this product, please call us for assistance 1-888-861-7351 or visit www.zuum.life