

ZUUM

DVR Quick Start Guide

Version 1.0.0

Table of Contents

1	Check Unpacked DVR.....	1
2	HDD Installation.....	2
3	Front Panel.....	3
4	Rear Panel.....	4
5	Local Login.....	5
5.1	Device Initialization	5
5.2	Registration.....	6
5.3	Schedule	6
5.4	Search.....	7
6	Web.....	9

Welcome

Thank you for purchasing our DVR!









This quick start guide will help you become familiar with our DVR in a very short time.

Before installation and operation, please read the following safeguard and warning carefully!

Important Safeguard and Warning

- For your device own safety, please create a strong password of your own choosing. We also recommend you change your password periodically especially in the high security system.
- All installation and operation here should conform to your local electrical safety codes.
- We assume no liability or responsibility for all the fires or electrical shock caused by improper handling or installation.
- We are not liable for any problems caused by unauthorized modifications or attempted repair.
- Improper battery use may result in fire, explosion, or personal injury!
- When replacing the battery, please make sure you are using the same model!
- Use a power supply which meets the requirements for SELV (Safety Extra Low Voltage) and complies with Limited Power Source according to IEC 60950-1. Refer to the device label for detailed information.

Safety Instruction

Icon	Note
 DANGER	Indicates a hazard with a high level of risk, which if not avoided, will result in death or serious injury.
 WARNING	Indicates a hazard with a middle or low level of risk, which if not avoided, could result in personnel slightly or middle injury.
 CAUTION	Indicates a potentially hazardous situation, which if not avoided, could result in device damage, data loss, performance degradation, or unexpected results.
 Anti-static	Indicates it is a static sensitive device.
 Electric shock risk	Indicates presence of dangerous high voltage. There is a risk of electric shock to persons.
 High power laser radiation risk	Indicates presence of high power laser radiation.
 Tips	It is intended to help you to fix a problem or save you time.
 Note	Provides additional information to emphasize or supplement important points of the main text.



1 Check Unpacked DVR



DANGER

All the installation and operations here should conform to your local electric safety rules.

When you get the DVR from the transportation agent, please open the box and then check the device according to the following table. Contact out local retailer or service engineer for any help.

SN	Name	Contents	
1	Whole package	Appearance	There is any visible damage or not.
		Package	There is any accidental clash during transportation or not.
2	Front panel and rear panel	The model on the front panel	Check the model with the purchase order.
		The label on the rear panel.	It is neat and clean or not.  Note Do not tear off, or discard the label. Usually we need you to represent the serial number when we provide the service after sales.
3	Case	Appearance	There is any visible damage or not.
		Check the data cable, power cable, fan cable, main board etc.	Check the connection is secure or not.  Note Contact your local retailer or our service engineer if the connection is loosen.

2 HDD Installation

This series DVR supports one SATA HDD. Always use the HDD brand recommended by us. Please use HDD of 7200rpm or higher. Do not use the PC HDD. Please follow the instructions below to install HDD.



CAUTION

Shut down the device and then unplug the power cable before you open the case to replace the HDD!



① Loosen the screws of the upper cover and side panel.



② Fix four screws in the HDD (Turn just three rounds).



② Place the HDD in accordance with the four holes in the bottom.



④ Turn the device upside down and then turn the screws in firmly.



⑤ Connect the HDD cable and power cable.



⑥ Put the cover in accordance with the clip and then place the upper cover back. Secure the screws in the rear panel and the side panel.



Note

- Connect the HDD data cable and the power cable first and then fix the HDD in the device.
- Pay attention to the front cover. It adopts the vertical sliding design. You need to push the clip first and then put down.

3 Front Panel

The front panel is shown as in Figure 3-1.

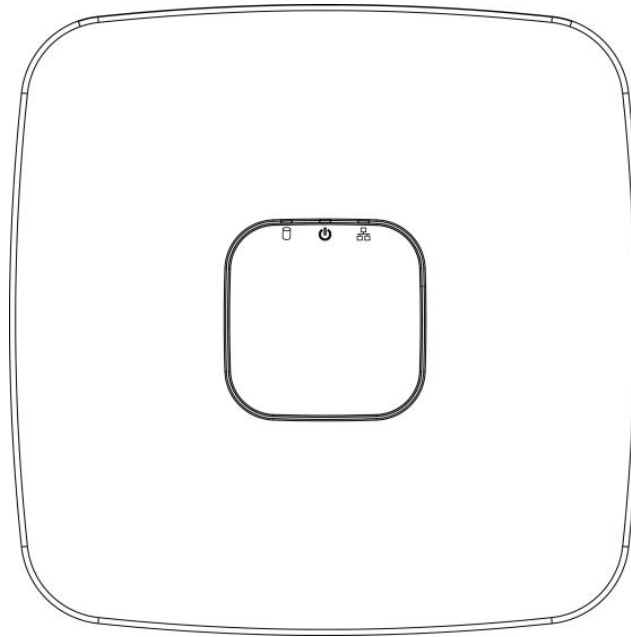


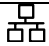


Figure 3-1

Please refer to the following sheet for detailed information.

Icon	Name	Function
	HDD status indicator light	<ul style="list-style-type: none">● The light is off when HDD is OK.● The light becomes on when HDD is abnormal.
	Power indicator light	<ul style="list-style-type: none">● The light is off when power connection is abnormal.● The light becomes on when power connection is OK.
	Network status indicator light	<ul style="list-style-type: none">● The light is off when network connection is OK.● The light becomes on when the network connection is abnormal.

4 Rear Panel

Here we take the 4-channel series product rear panel as an example. See Figure 4-1.

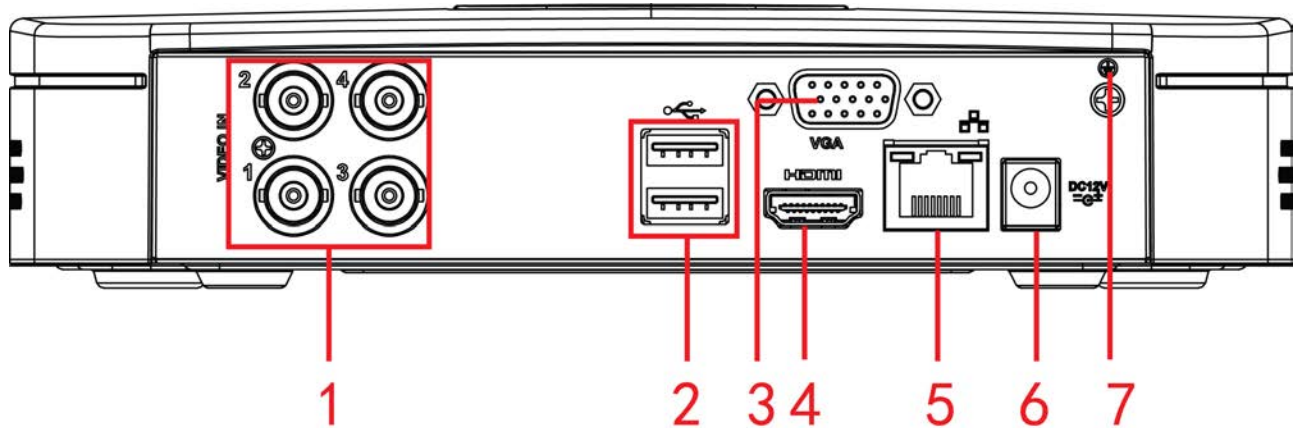


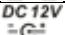



Figure 4-1

Please refer to the following sheet for detailed information.

SN	Icon	Name	Note
1	VIDEO IN	Video input port	Connect to analog camera, video input signal.
2		USB2.0 port	Connect to USB storage device, mouse, burning DVD-ROM etc.
3	VGA	VGA video output port	VGA video output port. Output analog video signal. Can connect to the monitor to view analog video output.
4	HDMI	High definition media interface	High definition audio and video signal output port. It transmits uncompressed high definition video and multiple-channel data to the HDMI port of the display device.
5		Network port	100Mbps Ethernet port
6		Power input port	Input 12V DC.
7		GND	Ground end

5 Local Login



Note

Slight difference may be found on the user interface. The following figure for reference only.

5.1 Device Initialization

If it is your first time to boot up the device, system pops up device initialization interface. See Figure 5-1. Please set administrator password. The default administrator name is **admin**. Set unlock pattern and security questions if necessary.



Note

- The password ranges from 8 to 32 digitals. It can contain letters, numbers and special characters (excluding “” , “” “,” “:” “&”). The password shall contain at least two categories. Usually we recommend the strong password.
- **STRONG PASSWORD RECOMMENDED-For your device own safety, please create a strong password of your own choosing. We also recommend you change your password periodically especially in the high security system.**

Device Initialization

1 Enter Password 2 Unlock Pattern 3 Password Protection

User: admin

Password:

Use a password that has 8 to 32 characters, it can be a combination of letter(s), number(s) and symbol(s) with at least two kinds of them.(please do not use special symbols like ' ' ; : &)

Confirm Password:

Prompt Question:

Next

Figure 5-1

Reset Password	Note
Email	Input an email address for reset password purpose. In case you forget password in the future, input the security code you got on the assigned email to reset the password of admin . If you have not input email here or you need to update the email information, please go to the main menu->Setting->System->Account to set.
Security question	Set security questions and corresponding answers. Properly answer the questions to reset admin password. In case you have not input security question here or you need to update the security question information, please go to the main menu->Setting->System->Account to set.

5.2 Registration

From the main menu->Setting->Camera->Registration or on the preview window and then right click mouse and then select Camera Registration, you can go to the Registration interface. See Figure 5-2.

Click IP search and then double click the searched device in the list, or check the box before the device name and then click Add button, it is to register the device(s) to the DVR.



Figure 5-2

5.3 Schedule

From main menu->Setting->Storage->Schedule, enter schedule interface. See Figure 5-3.

Device begins all-channel 24-hour record mode by default. Set the record period and record type according to your actual requirements.

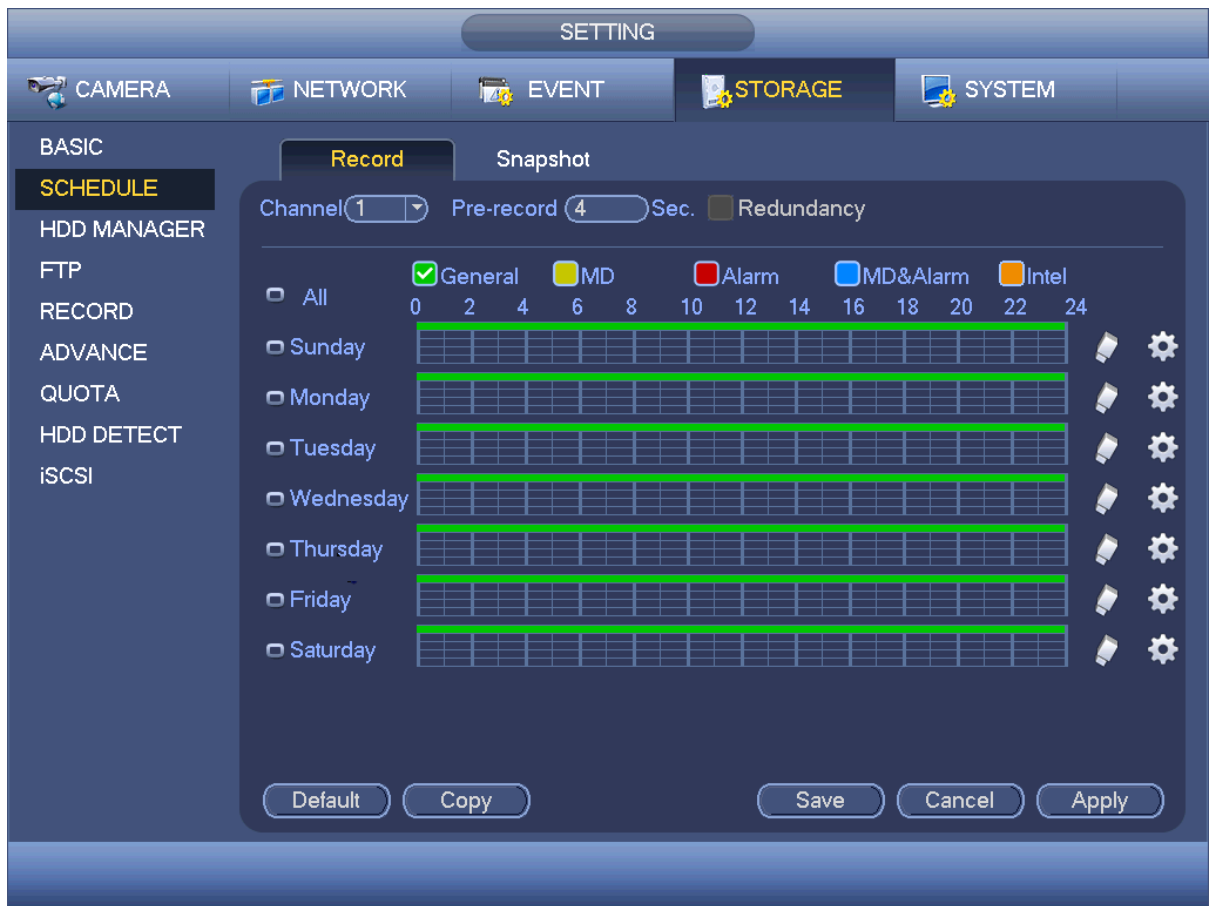


Figure 5-3

5.4 Search

From main menu->Operation->Search, or on the preview window right click mouse and then select Search, enter Search interface. See Figure 5-4.

It is to search and playback the record file. Refer to the user's manual for detailed information.



Figure 5-4

6 Web

Open the browser and input DVR address in the address column, click Enter button. System pops up login interface. See Figure 6-1.

Input correct user name and password, click Login to login the system.

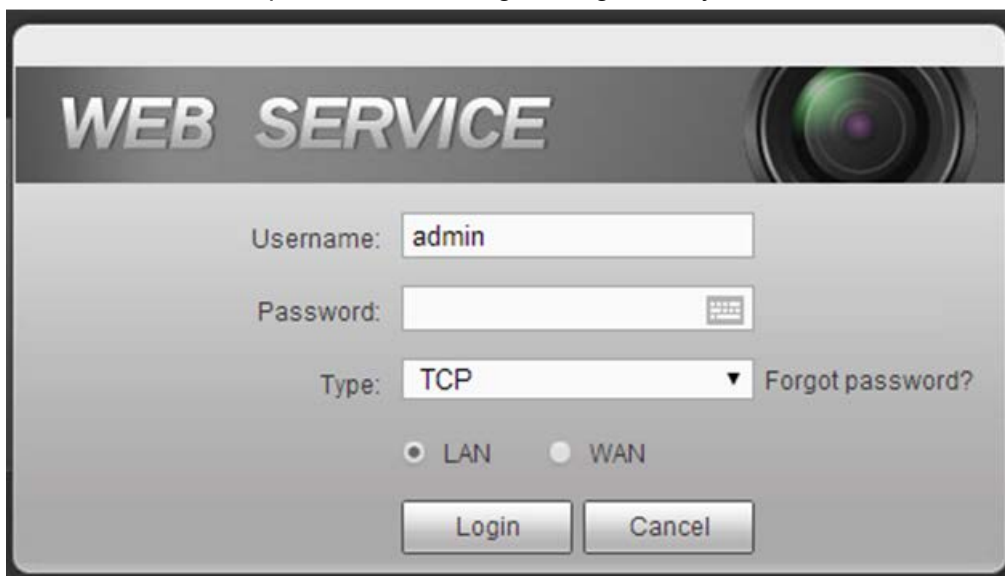


Figure 6-1

Note

- If it is your first time to login the device, please initialize the device first. Refer to the user's manual for detailed information.
- Device factory default user name is **admin**. The password is that you set during initialization process. For your device safety, please change the admin password regularly and keep it well.
- In case you forgot password, click **Forgot password** to reset. Refer to the user's manual for detailed information.
- After your first login the WEB, please install the plug-in to view the video.

Note

- This quick start guide is for reference only. Slight difference may be found on the user interface.
- All the designs and software here are subject to change without prior written notice.
- All trademarks and registered trademarks mentioned are the properties of their respective owners.
- If there is any uncertainty or confusion, please contact tech support.
- Please visit our website or contact your local service engineer for more information.