

HE1IR-50M

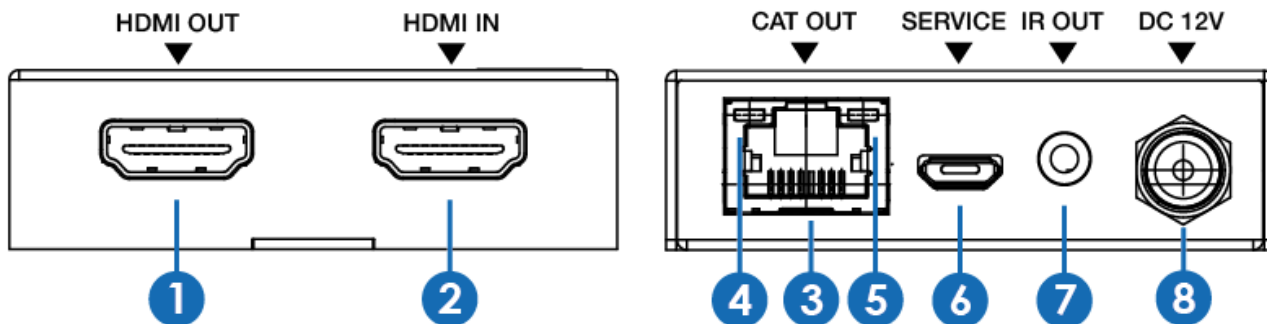
HDMI Extender with IR, 18Gbps, HDR, Loop Out

Extend high-resolution HDMI up to 50 meters (164') with this HDMI over single cat5e/cat6 extender. This extender uses HDMI technology to extend uncompressed high-definition video up to 4Kx2K@60hz HDR 4:4:4. One-way IR and additional HDMI loop out on the transmitter for local monitor or for distribution purposes.

Features:

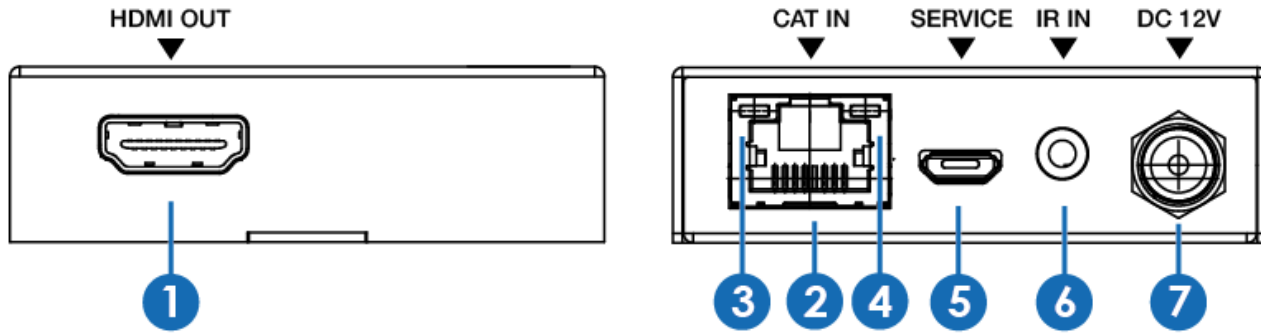
- > HDMI 2.0b, HDCP2.2/HDCP 1.4 compliant
- > HDMI resolutions up to 4Kx2K@50/60Hz 4:4:4, 18Gbps
- > Extends distance up to 164' (50m)
- > HDMI loop out
- > IR one-way
- > Supports HDR function

Transmitter Panel:



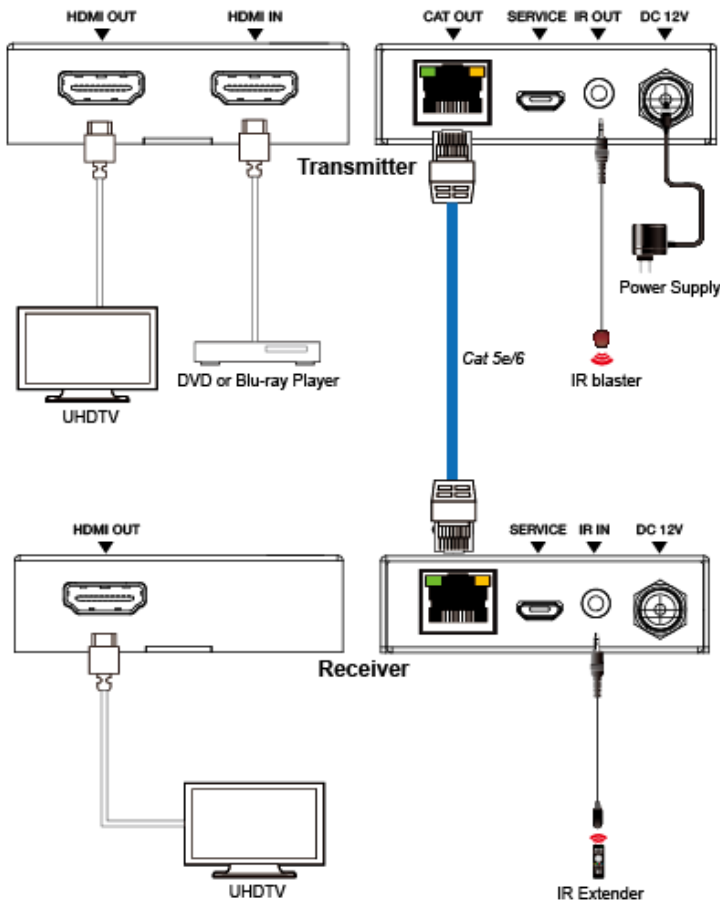
Number	Name	Function description
1	HDMI OUT	HDMI loop output port, connect to HDMI display device such as TV or Projector with an HDMI cable.
2	HDMI IN	HDMI input port, connect to HDMI source device such as DVD or PS4 player with an HDMI cable.
3	CAT OUT	Connect to CAT IN port on the receiving end with a CAT5/6 cable.
4	POWER INDICATOR Lamp (Green)	The lamp will illuminate when the transmitter is powered on.
5	DATA SIGNAL Indicator Lamp (Orange)	The lamp will illuminate when the transmitter and the receiver have signal transmission.
6	SERVICE PORT	For firmware updated use.
7	IR OUT	Connect to wideband IR Blaster cable. The IR signal is from the IR IN port of the receiver.
8	DC 12V	Plug DC 12V/1A power supply into the unit and connect the adapter to an AC outlet.

Receiver Panel:



Number	Name	Function description
1	HDMI OUT	HDMI output port, connect to HDMI display device such as TV or Projector with an HDMI cable.
2	CAT IN	Connect to CAT OUT port on the transmitter end with a CAT5/6 cable.
3	POWER INDICATOR Lamp (Green)	The lamp will illuminate when the receiver is powered on.
4	DATA SIGNAL Indicator Lamp (Orange)	The lamp will illuminate when the transmitter and the receiver have signal transmission.
5	SERVICE PORT	For firmware updated use.
6	IR IN	Connect to wideband IR Receiver cable. The IR signal will send to the IR OUT port of the transmitter.
7	DC12V	Plug DC 12V/1A power supply into the unit and connect the adapter to an AC outlet.

Installation View:



NOTE: Surge Protection Recommended

This HDMI extender contains sensitive electrical components that may be damaged by electrical spikes, surges, electric shock, lightning strikes, etc. Using a surge protection system is highly recommended in order to protect and extend the life of your equipment.

Package Includes:

Extender TX x 1 piece
Extender RX x 1 piece
IR Blaster x 1 piece
IR Receiver x 1 piece
Mounting ears x 4 pieces
Power adapter 12V/1A x 2 piece
Instructions

Specification:

Model:	HE1IR-50M
Technical	
HDMI Compliance	HDMI 2.0b
HDCP Compliance	HDCP 2.2 and HDCP 1.4
Video Bandwidth	18 Gbps
Video Resolutions	Up to 4K60Hz 4:4:4
Color Depth	8/10/12-bit (1080P60Hz, 4K30Hz, 4K60Hz YCbCr, 4:2:2/4:2:0) 8-bit (4K60Hz 4:4:4)
Color Space	RGB, YCbCr 4:4:4, YCbCr 4:2:2/4:2:0
HDMI Audio Formats	LPCM 2.0/2.1/5.1/6.1/7.1, Dolby Digital, Dolby TrueHD, Dolby Digital Plus(DD+), DTS-ES, DTS HD Master, DTS HD-HRA, DTS-X
ESD Protection	±8kV (Air-gap discharge) , ±4kV (Contact discharge)
Connections	
Transmitter	Inputs: 1x HDMI Type A [19-pin female] 1x SERVICE [Micro USB, Update port] Outputs: 1x HDMI Type A [19-pin female] 1x IR OUT [3.5mm Stereo Mini-jack] 1x CAT OUT [RJ45, 8-pin female]
Receiver	Inputs: 1x IR IN [3.5mm Stereo Mini-jack] 1x CAT IN [RJ45, 8-pin female] 1x SERVICE [Micro USB, Update port] Outputs: 1x HDMI Type A [19-pin female]
Mechanical	
Housing	Metal Enclosure
Color	Black
Dimensions	2.40" w x 3.46" d x 0.71" h
Weight lbs.	Transmitter: .35 Receiver: .34
Power Supply	Input: AC100~240V 50/60Hz, Output: DC12V/1A (Locking connector) (US/EU standards, CE/FCC/UL certified)
Power Consumption	3.84W (max)
Operating Temperature	0°C ~ 40°C / 32°F ~ 104°F
Storage Temperature	-20°C ~ 60°C / -4°F ~ 140°F
Relative Humidity	20~90% RH (non-condensing)



Do you Need Technical Support?

ZUUM is proud to offer free technical support to ensure your product is operating correctly. If you are experiencing difficulties setting up this product, please call us for assistance 1-888-861-7351 or visit www.zuum.life