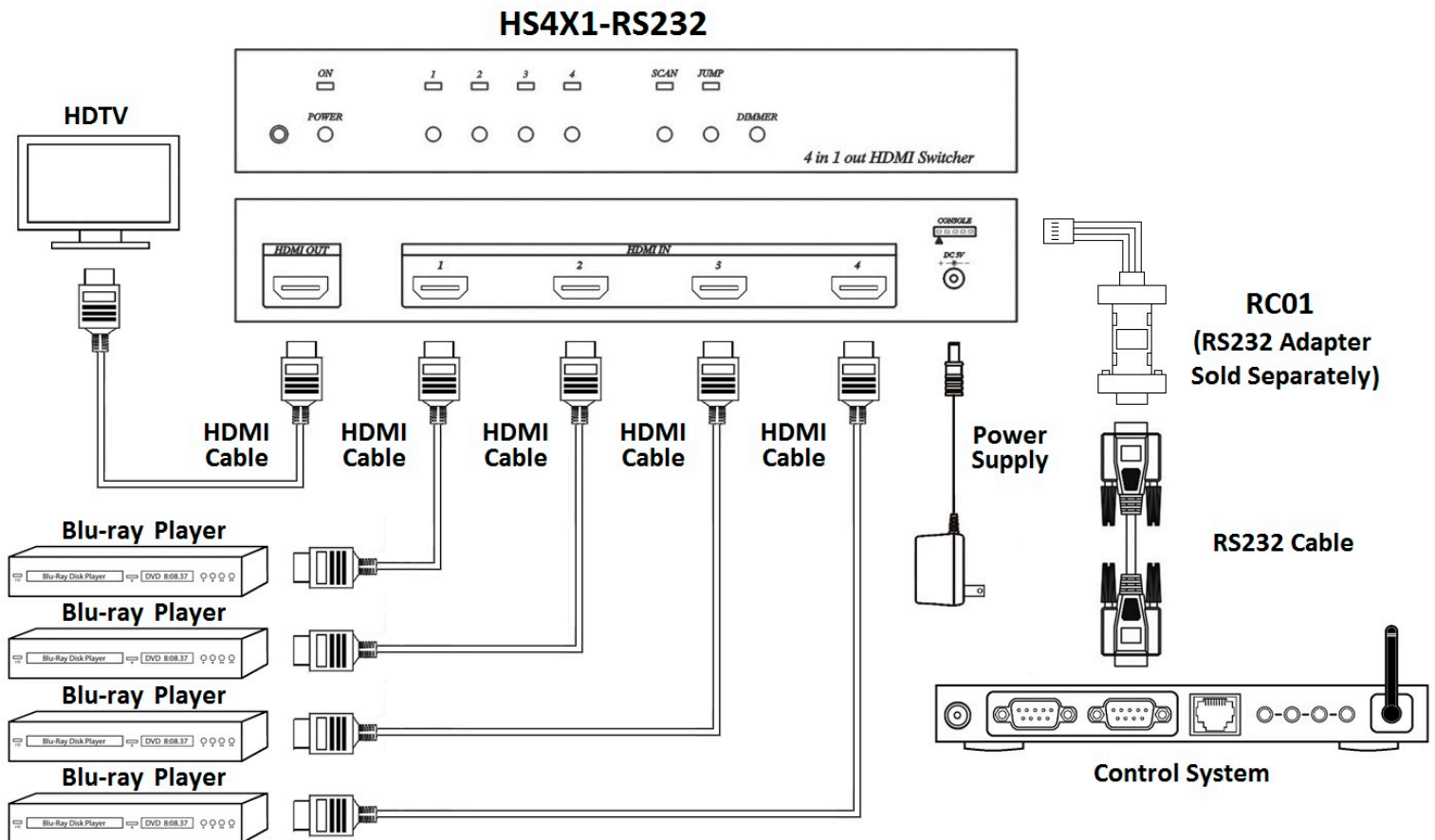


4 Input 1 Output HDMI Switcher with Optional Computer Based Control

HS4X1-RS232 is a HDMI switcher, which allows four different digital (video & audio) sources to share one video display. It is perfect for home theater systems no more hassles of manually plugging in different HDMI connectors to view different video sources. (ex: DVD player, Cable box, Satellite, DVR...) With RS232 option the ability to integrate into your automation systems just got easier.

- Switch easily between any four HDMI sources by remote control or push buttons located on the front of the device
- HDMI compliance, supports Deep Color 12 Bits/Color (Data rate up to 2.25Gbps) and 3D capable
- Extend the range of HDMI compliant devices by equalizing and re-clocking the HDMI signal
- Supports high resolution input HDTV: 480i, 480p, 720p, 1080i and 1080p@60Hz
- HDCP pass-through
- LED display with brightness settings
- Built-in auto jump function to automatically select the new video input
- **PC remote control option: RS232 (Model: RC01 Sold Separately)**

Installation View:



LED Indication:

Power	ON/OFF	System activate/ standby
	FLASH	Panel button or IR remote control disabled by remote PC
AUTO SCAN	ON/OFF	Auto scan function activated/disabled
AUTO JUMP	ON/OFF	Auto jump function activated/disabled
1, 2, 3, 4	ON	Currently selected input signal channel
	FLASH	No signal input

Panel Button Function:

Power:	System activate/ standby
AUTO SCAN:	Auto scan function activated/disabled
AUTO JUMP:	Auto jump function activated/disabled
DIMMER:	LED brightness adjustment
1, 2, 3, 4:	Select input signal channel and disable auto scan function

Remote Control Operating A, B Mode Switching:

There are two remote control operating modes: When this device powers on, you can switch A,B mode by pressing the panel "power" button and remote control "*" button together.

Mode A operating mode: It come with auto scan & auto jump functions.

Mode B operating mode: When auto scan & auto jump functions not desired, you only need single button for quick operation on AV switch.

Factory default is set to (Mode A)

IR remote control Mode A Operating:

⏻ Power symbol	System activate/standby
▲	Select previous available input and activates auto scan function
▼	Select next available input and activates auto scan function
◀	Select previous input and disable auto scan function
▶	Select next input and disable auto scan function
1、2、3、4	Currently select input and disable auto scan function
0	Auto jump function activated/disabled
#	LED brightness adjustment
5、6、7、8、9	Reserved (no function)

IR remote control Mode B Operating:

⏻ Power symbol	System activate/standby
▲	Select previous input and system activate
▼	Select next input and system activate
◀	Select previous input and system activate
▶	Select next input and system activate
1、2、3、4	Currently select input and system activate
#	LED brightness adjustment
5、6、7、8、9、0	Reserved (no function)

Auto Scan Function:

Under auto scan operation, if the selected input video signal is interrupted for over 0.5 seconds, it will automatically select the previous or next input with video signal.

Auto Jump Function:

Under auto jump operation, if there is a new video signal input, it will automatically switch to the video signal input

LED brightness setting:

LED brightness can be set up at the following 4 levels:

- 1 Minimum Brightness
- 2 Normal Brightness
- 3 Maximum Brightness
- 4 Brightness auto change

Factory default is set to level 3.

Under Brightness auto change mode, press any button or IR remote control button, or change video signal (video signal may disappear or appear), LED status will show the maximum brightness up to 5 seconds then back to the minimum brightness.

Computer Remote Control Function:

This console can use optional USB, RS-232, and RS-485 terminal cable to connect with computer, To use terminal program for remote control operation, the communication format is 9600,8,N,1 (9600 Bps, 1 start bit, 8 data bits, 1 stop bit).

Under remote control operation, If it shows 「COMMAND」, then it is “under command mode”. Can easily be operated and set by entering the following commands in the chart.

Press 「Enter」: if it shows 「OK!」 then the previous command is completed; showing 「ERROR!」 indicates the previous command is incorrect.

Command Mode Instruction:

[COMMAND]	[DESCRIPTION]
n	Currently select input and disable auto scan
PRE	Select previous available input and activates auto scan
NEXT	Select next available input and activates auto scan
SCAN y	Auto scan function activated/disabled
JUMP y	Auto jump function activated/disabled
ACTIVATE	System activate
STANBY	System standby
MODE x	Select operation mode A/B
IR y	IR remote button lock/unlock
KEY y	Panel button lock/unlock
LED n	LED brightness adjustment
SAVE	Save setting
LOAD	Load setting
KEYPAD	Keypad mode operation
SIGNAL	Display input signal status
STATUS	Display setting
VERSION	Display firmware version
?	Show all commands

[SYMBOL]	[PARAMETER]
n	1 2 3 4
x	A B
y	ON OFF

Space characters between the command and parameters can be ignored °

Virtual Remote Control Mode:

- Showing 「KEYPAD :」 when it is under virtual remote control mode, you can enter the following commands at the terminal to simulate the IR remote control operation.
- Press 「Enter」 : if it shows 「OK!」 then the previous command is completed; showing 「ERROR!」 indicates the previous command is incorrect.

System Activate Virtual Remote Control Mode A/B Operate Description:

- MODE A:

[COMMAND]	[DESCRIPTION]
1 2 3 4	Currently select input and disable auto scan
-	Select previous available input and activates auto scan
+	Select next available input and activates auto scan
L	Select previous input and disable auto scan
R	Select next input and disable auto scan
0	Auto jump function activated/disabled
/	System activate/standby
.	LED brightness adjustment
Q	Command mode operation
S	Display setting and input signal status
?	Show all commands

➤ MODE B: [COMMAND]	[DESCRIPTION]
-----	-----
1 2 3 4	Currently select input
-	Select previous input
+	Select next input
L	Select previous input
R	Select next input
/	System activate/standby
.	LED brightness adjustment
Q	Command mode operation
S	Display setting and input signal status
?	Show all commands

System Standby Virtual Remote Control Mode A/B Operate description:

➤ MODE A: [COMMAND]	[DESCRIPTION]
-----	-----
/	System activate/standby
Q	Command mode operation
S	Display setting and input signal status
?	Show all commands

➤ MODE B: [COMMAND]	[DESCRIPTION]
-----	-----
1 2 3 4	Currently select input and system activate
-	Select previous input and system activate
+	Select next input and system activate
L	Select previous input and system activate
R	Select next input and system activate
/	System activate/standby
Q	Command mode operation
S	Display setting and input signal status
?	Show all commands

Special Note:

There are some DVD equipment that still have +5V signal output under power off status, this will cause auto jump and auto scan function to be abnormal, please disable auto jump and auto scan function to avoid any operational issues.

Package Contents:

- 4X1 HDMI Switcher (Main Unit)
- IR Remote
- 5VDC 1Amp Power Supply
- User Instructions

Specifications:

Model:	HS4X1-RS232	HS7X1-RS232
Connector	HDMI Type A	
Input/Output	HDMI (Input) x 4, HDMI (Output) x 1	HDMI (Input) x 7, HDMI (Output) x 1
Color depth	12 Bits/Color (Data rate up to 2.25Gbps)	
Supports Resolution	480i, 480p, 720p, 1080i, 1080p	
Function Button	Button x 8	Button x 11
Power Supply	5VDC · 1000mA Regulated (Included)	
Power Consumption	300mA (Max)	600mA (Max)
Dimensions - inches	9.96"(w) x 5.45"(h) x 1.57"(d)	
Weight – lbs	1.76	1.77



Do You Need Technical Support?

ZuumMedia is proud to offer free technical support to ensure your product is operating correctly.

If you are experiencing difficulties setting up this product, please call us for assistance 1-888-861-7351 or visit www.zuummedia.com for more information.

Here for You 24/7