

Quick Installation Guide

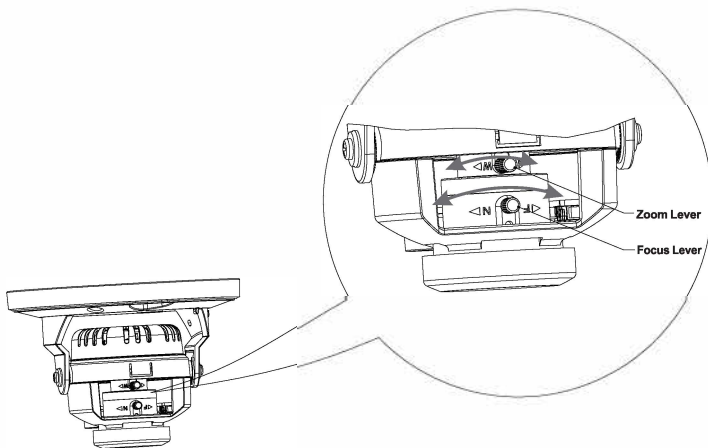
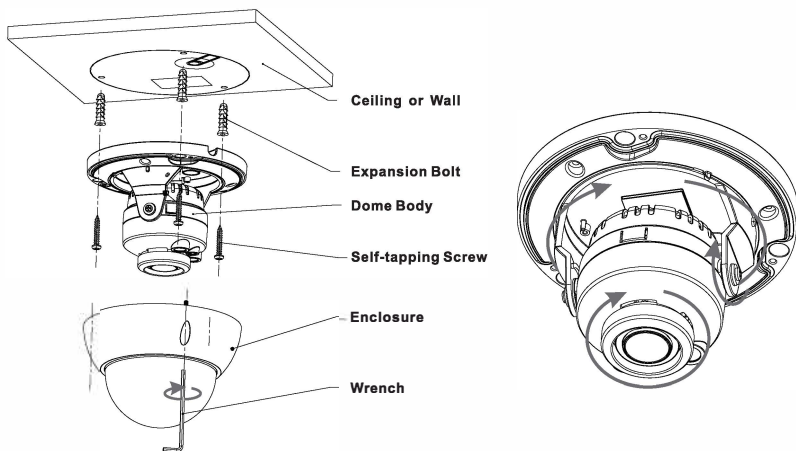
Attention:

Please make sure the installation surface is thick enough to sustain at least 3X weight of the camera.

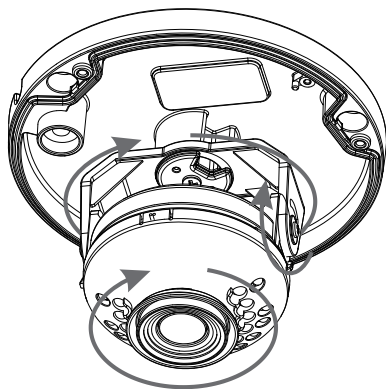
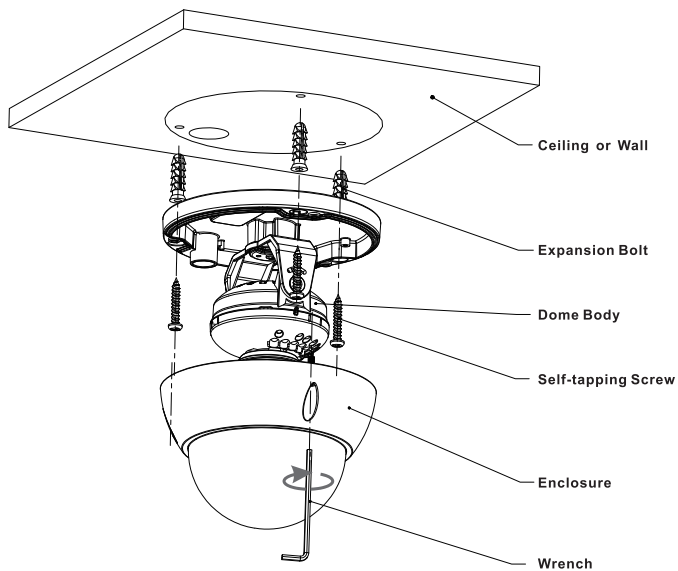
Note:

- If you want to install in the wood surface, expansion bolts are not necessary.
- The screw depth shall reserve 8mm–10mm to secure the bracket.

Model A.



Model B.



Note

● This manual is for reference only. Please visit our website or contact your local service engineer for more information.