

Fixed Dome Junction Box

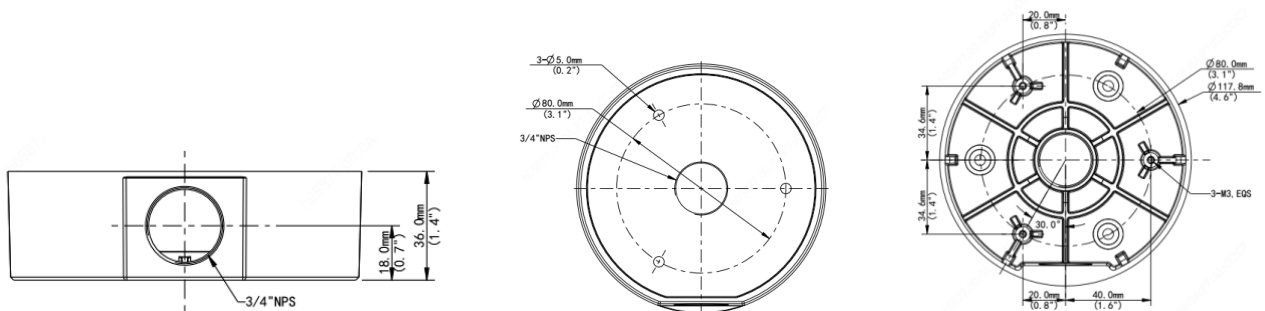
TR-JB03-I-IN



Specifications

Bracket	TR-JB03-I-IN
Application	Wall installation for IPC36XXL Series fixed dome
Dimensions	Φ117.8mm*36mm (4.64" x1.42")
Weight	0.2kg(0.44lb)
Material	Aluminum alloy

Dimension



*Product specifications and availability are subject to change without notice.