

LPC2MP-IP-5-50MM-IR40

2MP Full HD WDR License Plate IP Camera

System Overview

This 2MP WDR LPR camera is the choice for capturing car license plates in parking lots and access-controlled environments. It supports video detection and recognizes the plate in low speed less than 50mph. Has the ability to capture license plates at longer distances with the powerful 5-50mm manual lens and IR up to 130' (40M). Currently this LPR does not support ANPR in the USA.

Features

- 1/ 2.8" 2Megapixel STARVIS CMOS
- H.265/H.264M/H.264H/H.264B
- 1080P (1~25/30FPS)
- 5mm~55mm manual lens
- IR up to 130' (40m)
- True WDR (140db)
- Audio 2 input / 1 output
- Alarm 2 in / 2 out
- IP66
- Mounting bracket sold separately



Functions

Built-in intelligent video analytics, the camera has the ability to detect and recognize moving vehicles plate number in low speed less than 50mph.

Wide Dynamic Range (WDR) technology, vivid plate pictures are achieved in the most intense contrast lighting conditions. In applications with both bright and low light like car head lights the True WDR (140db) optimizes both bright and dark areas of a scene at the same time to provide usable video of the plate.

Supports plate cutout, overview picture snapshot and video recording

This camera has a great temperature range of -22°F ~ 140°F (-30°C ~ +60°C). This camera is the choice for installation in even some of the most unforgiving environments.

Specifications

Camera

Image Sensor	1/ 2.8" 2Megapixel STARVIS CMOS
Effective Pixels	1920(H) x 1080(V)
Scanning System	Progressive
Electronic Shutter Speed	1/50~1/10000
Minimum Illumination	0.005Lux/F1.6 (Color) 0Lux/F1.6 (IR on)
IR Distance	Distance up to 130' (40m)
IR LEDs	6

Lens

Lens Type	Manual/Auto Iris (DC)
Mount Type	CS
Focal Length	5mm ~ 50mm
Max. Aperture	F1.6
Angle of View	H:50°~5.6°, V:37.5° ~ 4.2°
Focus Control	Manual
Close Focus Distance	4~40m for license plate (Different height required, >10m long range recommendation)

Intelligence

LPR	Embedded with LPR engine in the camera
Detection model	Loop or video detection
Snapshot	Overview and cutout of plate for picture
OSD overlay	Time, plate number
Barrier control	2CH relay out to control the barrier

Video

Compression	H.265/H.264M/H.264H/H.264B
Streaming Capability	2 Streams
Resolution	1080p (1920x1080)
Frame Rate	1080p (1~25/30fps)
Bit Rate Control	CBR/VBR
Bit Rate	32Kbps ~ 16384Kbps
Day/Night	Auto (ICR) / Color / B/W
BLC Mode	BLC / HLC / WDR (140dB)
White Balance	Auto/Manual
Gain Control	Auto/Manual
Noise Reduction	3D

Network

Ethernet	RJ-45 (100/100Base-T)
Protocol	IPv4,IPv6, HTTP, TCP/IP, UDP, NTP, DHCP, DNS
Interoperability	ONVIF, CGI
Max. User Access	20 Users
Edge Storage	Micro SD, Max 64GB Status Display Local PC for Instant Recording
Web Viewer	IE, Chrome
Mgt. Software	DSS, PMS, EMS

Certifications

Certifications	CE, FCC
----------------	---------

Interface

Video Interface	BNC (1.0V p-p/75Ω, PAL/NTSC)
Audio Interface	2 Input / 1 Output
RS485	N/A
Alarm	2 In / 2 Out

Electrical

Power Supply	12VDC 1A / 24 VAC .8A PoE+ (802.3at)
Power Consumption	<17W

Environmental

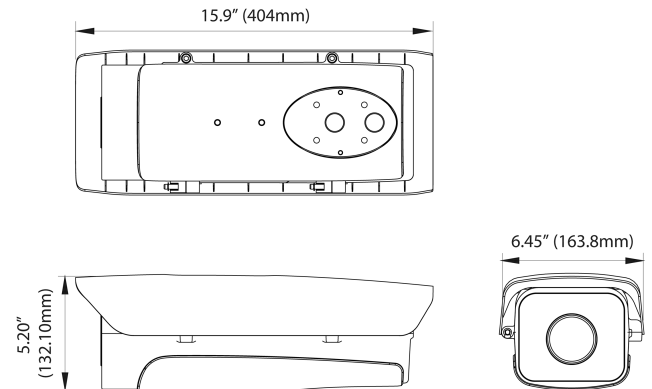
Operating Conditions	-30° C ~ +60° C (-22° F ~ +140° F) / < 95% RH
Storage Conditions	-30° C ~ +60° C (-22° F ~ +140° F) / <95% RH
Ingress Protection	IP66

Construction

Casing	Metal/Plastic
Dimensions	15.90" x 5.20" x 6.45" (404mm x 132.1mm x 163.8mm)
Gross Weight	9.03lb (4.1Kg)

Accessories

Sold Separately	Model: PFA273 (3-axis bracket) Model:PFB715W (wall bracket)
-----------------	---



ZM061318 Design and specifications are subject to change without notice