

PSPTZ-2MP-IP-4.8-120MM

2MP 25X Starlight IR Auto-Tracking PTZ Network Camera

System Overview

This compact Auto-tracking PTZ IP camera delivers 2MP resolution with a powerful 25x optical zoom lens. With pan speeds of up to 300°/s, and tilt speeds of up to 200°/s, this PTZ ensures complete and timely video capture across a large area. Attractive camera with easy mounting solutions provides a great indoor/outdoor choice for a variety of application like public safety, transportation, education and commercial buildings.

Features

- 1/2.8" 2 Megapixel STARVIST™ CMOS
- H.265+, H.265, H.264+, H.264
- Support Triple-streams encoding, IVS
- 50/60fps@1080p
- Auto-tracking and IVS
- WDR, Day/Night (ICR), Ultra DNR
- Powerful 25x optical zoom
- IR up to 656' (200m)
- IP67, IK10, PoE+
- Includes Wall bracket

Functions

Starlight Technology. For challenging low-light applications, Starlight Ultra-Low Light Technology offers best-in-class light sensitivity, capturing color details in low light down to 0.005 lux. The camera uses a set of optical features to balance light throughout the scene, resulting in clear images in dark environments.

Smart H.265+ is the optimized implementation of the H.265 codec that uses a scene-adaptive encoding strategy, dynamic GOP, dynamic ROI, flexible multi-frame reference structure and intelligent noise reduction to deliver high-quality video without straining the network. Smart H.265+ technology reduces bit rate and storage requirements by up to 70% when compared to standard H.265 video compression.

The camera achieves vivid images, even in the most intense contrast lighting conditions, using industry-leading wide dynamic range (WDR) technology. For applications with both bright and low lighting conditions that change quickly, True WDR (120 dB) optimizes both the bright and dark areas of a scene at the same time to provide usable video.

The camera allows for +/-25% input voltage tolerance, suitable for the unstable conditions for outdoor applications. Its 8KV lightning rating provides effective protection for both the camera and its structure against lightning.

This camera operates in extreme temperature environments, rated for use in temperatures from -40° C to +70° C (-40° F to +158° F) with >95% humidity.

PFA technology has innovatively introduced new methods of judgment to ensure the accuracy and predictability of the direction of subject distance adjustment. The result is a set of advanced focusing algorithms. PFA ensures clarity of the image throughout the process of zooming and shortens focus time. The realization of PFA technology substantially improves user experience and increases product value.

Specifications

Camera

Image Sensor	1/2.8" 2 Megapixel STARVIS™ CMOS			
Effective Pixels	1920(H) x 1080(V)			
RAM/ROM	512MB / 128MB			
Scanning System	Progressive			
Electronic Shutter Speed	1/1s~1/30,000ss			
Minimum Illumination	Color: 0.005Lux@F1.6; 0Lux@F1.6 (IR on)			
S/N Ratio	More than 55dB			
IR Distance	Distance up to 656' (200m)			
IR On/Off Control	Auto/Manual			
IR LEDs	6			

Lens

Focal Length	4.8 ~ 120mm			
Max. Aperture	F1.6 ~ F4.4			
Angle of View	H:59.2°~2.4°			
Optical Zoom	25x			
Focus Control	Auto/Manual			
Close Focus Distance	100mm~1000mm			
DORI Distance (*estimate)	Detect	Observe	Recognize	Identify
	5292'	2119'	1060'	528'

PTZ

Pan/Tilt Range	Pan:0° ~360° endless; Tilt:20° ~90°, auto flip 180°			
Manual Control Speed	Pan: 0.1° ~200° /s; Tilt: 0.1° ~120° /s			
Preset Speed	Pan: 300° /s; Tilt: 200° /s			
Presets	300			
PTZ Mode	5 Pattern, 8 Tour, Auto Pan, Auto Scan			
Speed Setup	Human-oriented focal Length/ speed adaptation			
Power up Action	Auto restore to previous PTZ and lens status after power failure			
Idle Motion	Activate Preset/ Scan/ Tour/ Pattern if there is no command in the specified period			
Protocol	DH-SD, Pelco-P/D (Auto recognition)			

Intelligence

Auto Tracking	Support			
IVS	Tripwire, Intrusion, Abandoned/Missing, Face Detection, Heat Map			

Video

Compression	H.265+/H.265/H.264+/H.264			
Streaming Capability	3 Streams			
Resolution	1080P(1920×1080)/1.3M(1280×960)/720P(1280×720)/D1(704×576/704×480)/CIF(352×288/352×240)			
Frame Rate	Main stream: 1080P/1.3M/720p (1~50/60fps), Sub stream1: D1/CIF (1 ~ 25/30fps) Sub stream2: 1080p/1.3M/720p/D1/CIF (1 ~ 25/30fps)			
Bit Rate Control	CBR/VBR			
Bit Rate	H.265/H.264: 448K ~ 8192Kbps,			
Day/Night	Auto (ICR) / Color / B/W			
BLC Mode	BLC / HLC / WDR (120dB)			
White Balance	Auto/ATW/Indoor/Outdoor/Manual			
Gain Control	Auto/Manual			
Noise Reduction	Ultra DNR (2D/3D)			
Motion Detection	Support			
Region of Interest	Support			
Stabilization (EIS)	Support			
Defog	Support			

Digital Zoom	16x
Flip	180°
Privacy Masking	Up to 24 areas

Audio

Compression	G.711a/G.711Mu/AAC/G.722/G.726/G.729/MPEG2-L2
-------------	---

Network

Ethernet	RJ-45 (10Base-T/100Base-TX)
WiFi	N/A
Protocol	IPv4/IPv6, HTTP, HTTPS, SSL, TCP/IP, UDP, UPnP, ICMP, IGMP, SNMP, RTSP, RTP, SMTP, NTP, DHCP, DNS, PPOE, DDNS, FTP, IP Filter, QoS, Bonjour, 802.1x
Interoperability	ONVIF, PSIA, CGI
Streaming Method	Unicast / Multicast
Max. User Access	20 users
Edge Storage	NAS (Network Attached Storage), Local PC for instant recording, Micro SD card 128GB
Web Viewer	IE, Firefox, Safari
Mgt. Software	Smart PSS, DSS
Smart Phone	iOS, Android

Certifications/Drivers

Certifications	CE, FCC, UL
Drivers/Profiles	Control 4

Interface

Video Interface	1 port (BNC, 1.0V [p-p], 75Ω)
RS485	1
Audio I/O	1/1
Alarm I/O	7/2

Electrical

Power Supply	AC 24V/3A (+/- 25%) (PoE+ (802.3at)
Power Consumption	17W, 25W (IR on, Heater On)

Environmental

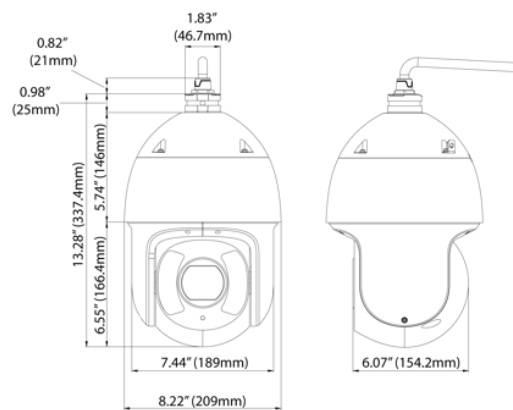
Operating Conditions	-40°C ~ 70°C (-40°F ~ +158°F) / Less than 95% RH
Ingress Protection	IP67
Vandal Resistance	IK10

Construction

Casing	Metal
Dimensions	Φ209 (mm) x 337.4 (mm)
Net Weight	12.79lb (5.8kg)
Gross Weight	20.06lb (9.1kg)

Accessories

Included	Wall Mount Model: PFB416W, Power Adapter AC24V/3A
----------	---



ZM050718 Design and specifications are subject to change without notice